

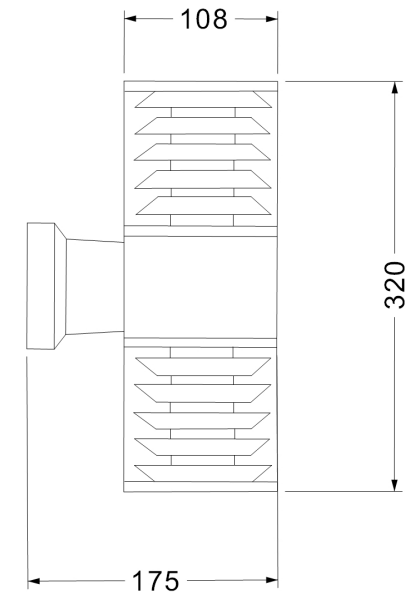
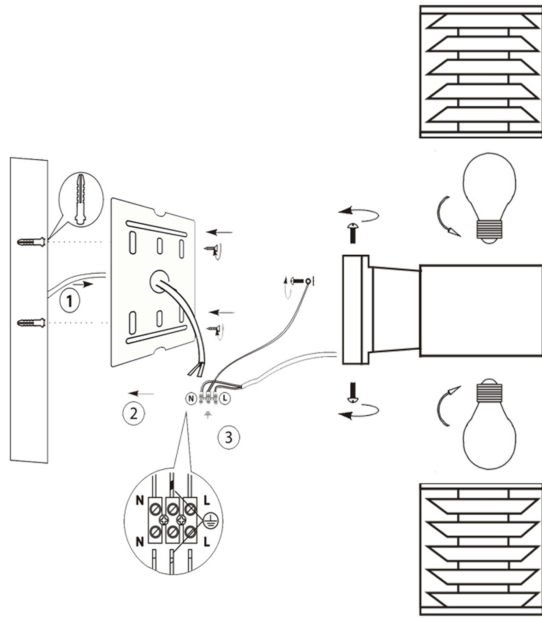
# Instruction

Collection: OUTDOOR

Series: BRONX

Model: O576WL-02B

Wall



- Wall



2 x E27 (60W)

**MAYTONI**  
DECORATIVE LIGHTING

[www.maytoni.de](http://www.maytoni.de)